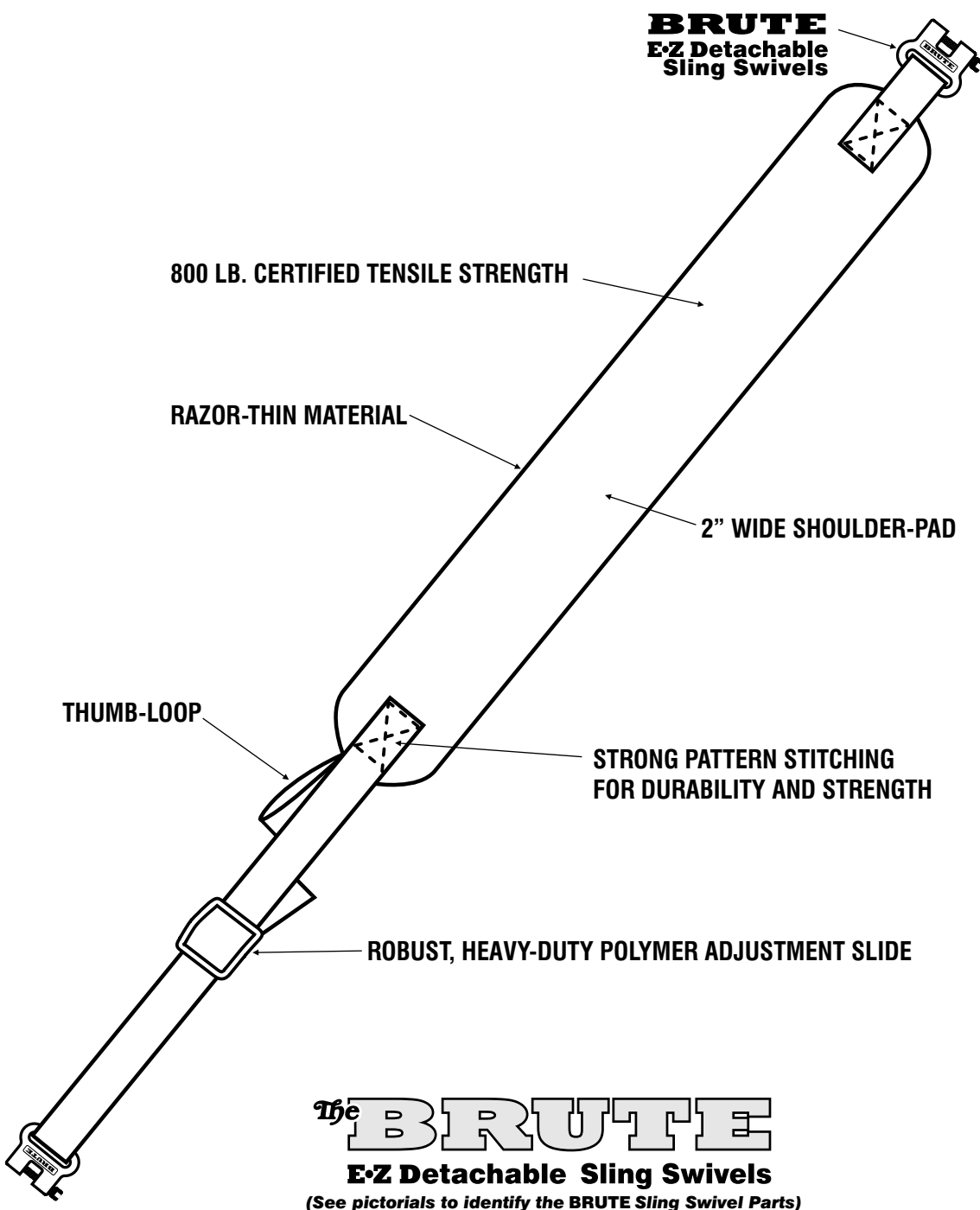




THE RAZOR SLING

THE REVOLUTIONARY DESIGNED FIREARM SLING

Firearm safety is your individual responsibility. You must carefully examine and be sure the firearm is unloaded. You must visually inspect the chamber and the magazine to make sure they are clear/empty. You must remove the cartridge clip if present. These activities must be performed each time you install or remove The RAZOR Firearm Sling with BRUTE Sling Swivels. This detailed information must be given to anyone using your RAZOR Sling and BRUTE Sling Swivels..

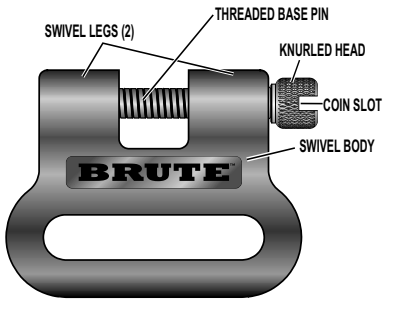


The BRUTE E-Z Detachable Sling Swivels

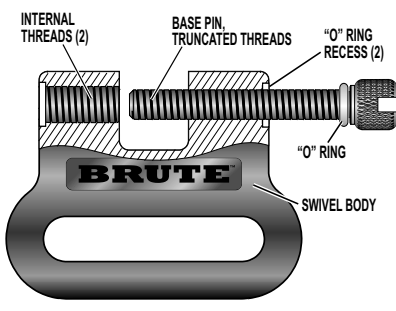
(See pictorials to identify the BRUTE Sling Swivel Parts)

E-Z Installation

1. Unscrew the threaded swivel base pin, using thumb and finger, far enough to allow the swivel to be placed upon the swivel base on the firearm. A coin may be used in the coin slot if necessary. The threaded base pin does not need to be removed from the swivel body (preventing loss).
2. Position the swivel base between the "legs" of the swivel body.
3. Align the base pin with the through-hole in the swivel base allowing the pin to pass into and completely through the swivel base.
4. Screw the base pin into The BRUTE Swivel with your thumb and finger. A coin may be used if necessary.
5. The base pin will engage the internal threads in the opposite leg of The BRUTE Swivel.
6. The "O" Ring on the base pin will seat into the recess on the side of the swivel leg to retain/secure the base pin when fully engaged/seated.
7. Complete/full seating of the "O" Ring base pin assembly is necessary to ensure correct/proper and safe installation of The BRUTE Swivel. Correct installation will prevent disengagement of the swivel during normal usage.
8. The base pin does not need to be overly tight or stressed to be secured. A good snug fit of the base pin is all that is necessary.



Closed View



Partial Open View

! CAUTION ! CAUTION ! CAUTION !

The BRUTE Sling Swivel must not be overloaded or improperly stressed. The BRUTE Sling Swivel must be examined periodically to insure correct installation. Correct installation of The BRUTE Sling Swivel requires:

1. The threaded base pin must be screwed completely into and through both swivel legs.
2. The "O" Ring must be completely seated into the "O" Ring recess in the swivel leg.

See the closed view pictorial.

E-Z Removal

1. To open or remove The BRUTE Swivel from the swivel base, unscrew the base pin. A coin may be used in the coin slot if necessary.
2. Do not remove the pin from the body of the swivel (preventing loss).

THUMB and FINGER is all the force necessary to install The BRUTE Sling Swivel. (No tools required)

i The BRUTE Sling Swivel is a well designed mechanical device. Only superior materials and the most advanced techniques are used in manufacturing. The threaded base pin should be lightly oiled to prevent corrosion and retain good appearance and working order as designed.

This instructional information sheet should be retained for future reference.



7901 Panther Way • Waco, TX • 76712-6556 • USA
 Phone: 254-772-5575 • Fax: 254-776-3553 • Service/Sales: 800-533-6076