

Thank You for choosing the...

EXPRESS SLING

NOTICE: Firearm safety is your individual responsibility. You must carefully examine and be sure the firearm is unloaded. You must visually inspect the chamber and the magazine to make sure they are clear/empty. You must remove the cartridge clip, if present. These activities must be performed each time you install or remove the Express™ Sling. This detailed information must be given to anyone using your Express™ Sling.

If you purchased an Express Sling with **BRUTE** Sling Swivels, carefully read and observe the following. See pictorials **Fig. 1** and **2** to identify Express Sling and **BRUTE** Swivel parts.

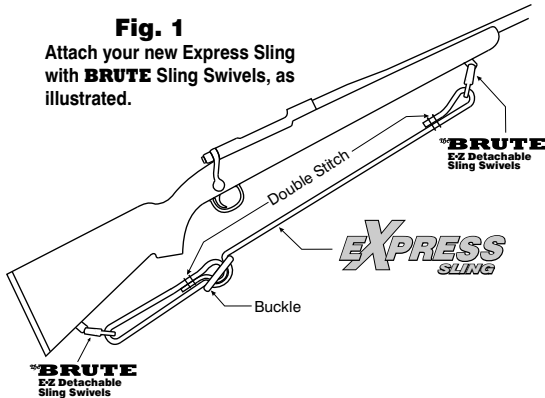


Fig. 1
Attach your new Express Sling with **BRUTE** Sling Swivels, as illustrated.

Safety Warnings . . . E-Z/D Information
(See pictorials to identify The **BRUTE** Sling Swivel Parts)

STOP ! WARNING ! WARNING ! WARNING !
Be sure the firearm is unloaded and safe before attaching or removing your Express™ Sling with **BRUTE** Sling Swivels!

E-Z Installation

1. Unscrew the threaded swivel base pin of the **BRUTE** Sling Swivel, using thumb and finger, far enough to allow the swivel to be placed upon the swivel base on the firearm. A coin may be used in the coin slot if necessary. The threaded base pin does not need to be removed from the swivel body (preventing loss).
2. Position the swivel base between the "legs" of the swivel body.
3. Align the base pin with the through-hole in the swivel base allowing the pin to pass into and completely through the base.
4. Screw the base pin into The **BRUTE** swivel with your thumb and finger. A coin may be used if necessary.
5. The base pin will engage the internal threads in the opposite leg of The **BRUTE** swivel.
6. The "O" Ring on the base pin will seat into the recess on the side of the swivel leg to retain/secure the base pin when fully engaged/seated.
7. Complete/full seating of the "O" Ring base pin assembly is necessary to ensure correct/proper and safe installation of The **BRUTE** Swivel. Correct installation will prevent disengagement of the swivel during normal usage.
8. The base pin does not need to be overly tight or stressed to be secured. A good snug fit of the base pin is all that is necessary.

CAUTION: Incorrect, Improper or Incomplete installation of The **BRUTE** Sling Swivel could result in the swivel disengaging, opening or losing its attachment to the swivel base allowing the firearm to drop or fall.

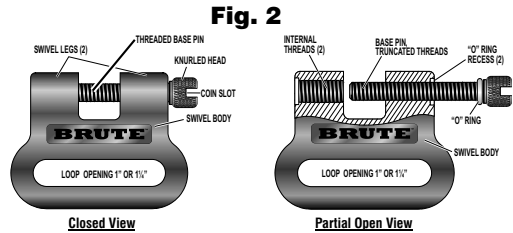
THUMB and FINGER is all the force necessary to install The **BRUTE** Sling Swivel. (No tools required)

E-Z Removal

1. To open or remove The **BRUTE** Swivel from the swivel base, unscrew the base pin. A coin may be used in the coin slot if necessary.
2. Do not remove the pin from the body of the swivel (preventing loss).

Failure to follow the safety rules and recommendations set forth in this pamphlet could result in a swivel accidentally opening and becoming detached from the swivel base. The firearm could fall, and could result in damage to the firearm/scope, accidental discharge, and/or cause injury and/or death to yourself and/or someone else. Pulling, tugging or stress of any kind upon the swivels, firearm/sling/scope must be given immediate attention to make sure the swivels remain in the correct, closed/engaged position during usage. You must never attempt to climb trees, tree stands, steep inclines, hills, rocks or leap/jump over ditches with a loaded firearm. *The act of firearm and hunting safety is your responsibility.*

! CAUTION ! CAUTION ! CAUTION !
The **BRUTE** Sling Swivel must not be overloaded or improperly stressed. The **BRUTE** Sling Swivel must be examined periodically to ensure correct installation. Correct installation of The **BRUTE** Sling Swivel requires: **1.** The threaded base pin must be screwed completely into and through both swivel legs. **2.** The "O" ring must be completely seated into the "O" ring recess in the swivel leg. See pictorial, closed view.



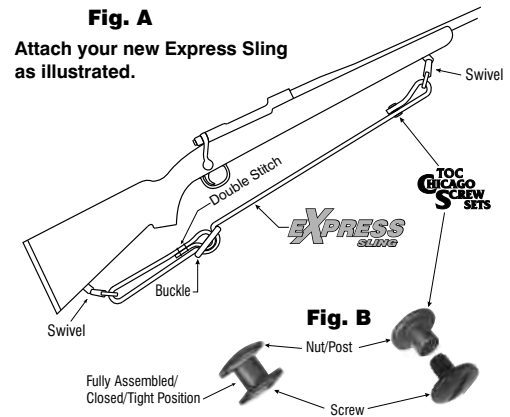
EXPRESS SLING

WITHOUT SWIVELS

If you purchased an Express Sling without sling swivels, you may install the Express Sling onto any sling swivel of your choice.

1. See pictorials, **Fig. A** and **B** to identify Express Sling parts (without sling swivels).
2. It is necessary to disassemble the Express Sling by removing the Chicago Screws. **Fig. B** - careful not to misplace.
3. Remove the webbing material from the buckle. The Express Sling configuration is now a long piece of webbing material with four holes in a square pattern at one end and a buckle, double stitched/sewn onto the opposing end.
4. To install the Express Sling, lace/position into the swivels, as illustrated, **Fig. A**.
5. Carefully install/assemble the TOC Chicago Screws into the sling, as illustrated, **Fig. A**.
6. Great care must be given when assembling the Chicago Screws into the Express™ Sling. The screw part must be fully seated into the post/nut, **Fig. B**.
7. The Chicago Screws should be located at the fore end of the firearm when the Express Sling is correctly installed, **Fig. A**.
8. You must periodically examine the TOC Chicago Screws when using the Express Sling to make sure the TOC Chicago Screws remain fully assembled/tight, **Fig. B**.
9. It is necessary for you to convey this information in detail to anyone who may use your Express Sling.

ATTENTION: The safety warnings and firearm handling cautions stated in this instruction sheet must be adhered to at all times. Failure to follow these safety recommendations could result in conditions of danger to you and/or someone else.



This instructional information sheet should be retained for future reference.



7901 Panther Way • Waco, TX • 76712-6556 • USA
Phone: 254.772.5575 • Fax: 254.776.3553 • Sales/Service: 800.533.6076

www.OutOfTheBox.com